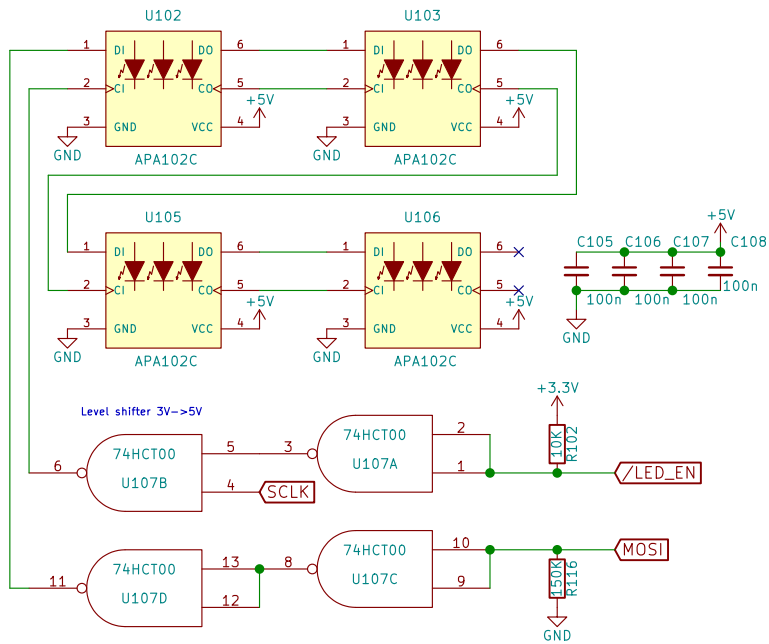
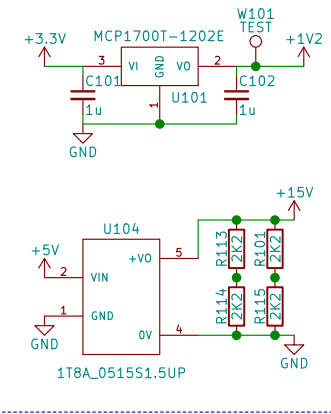


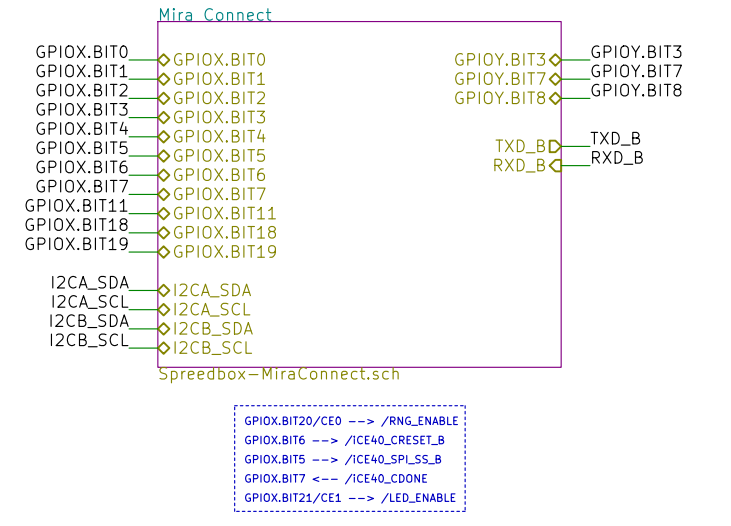
LED Control



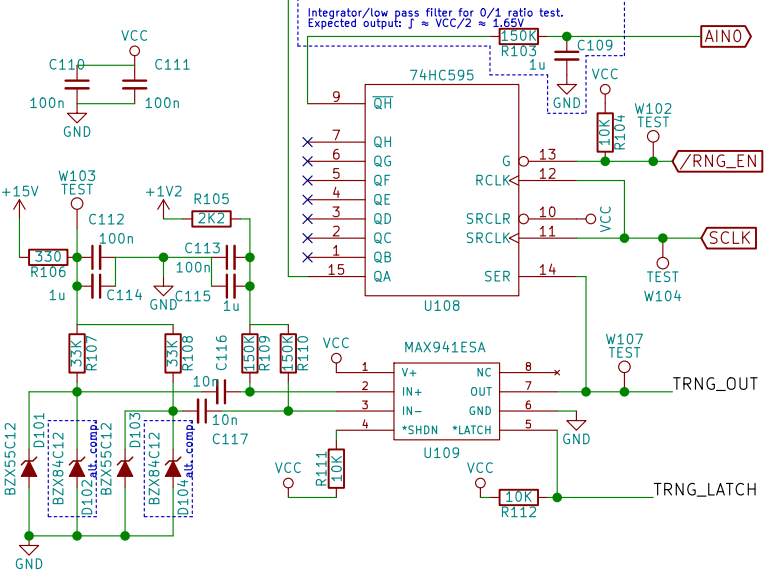
Power



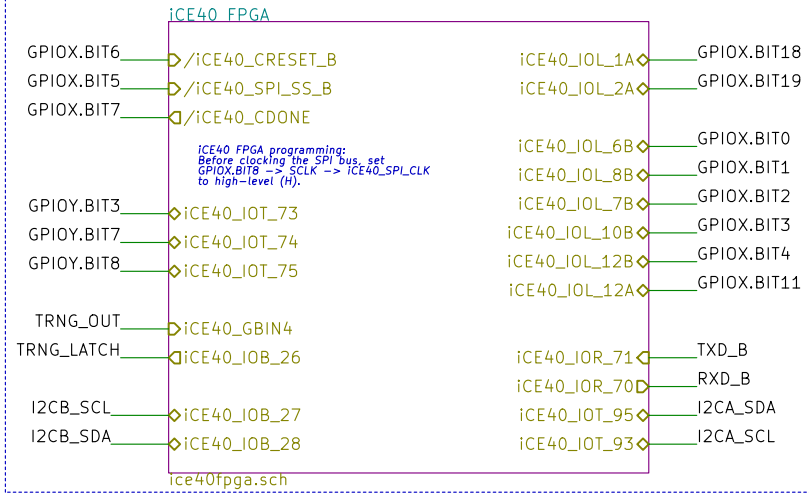
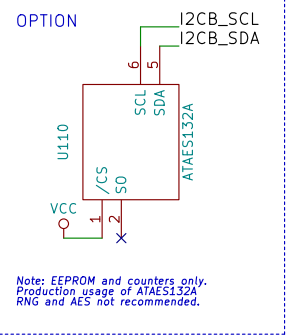
Odroid-C1+ 2x20 pin header



TRNG



Monotonic Counters
32kBit EEPROM



Title: **Speedbox® United Colors**


Id: 1/3

Size: **A4** Number: **1** Rev: **0.7**

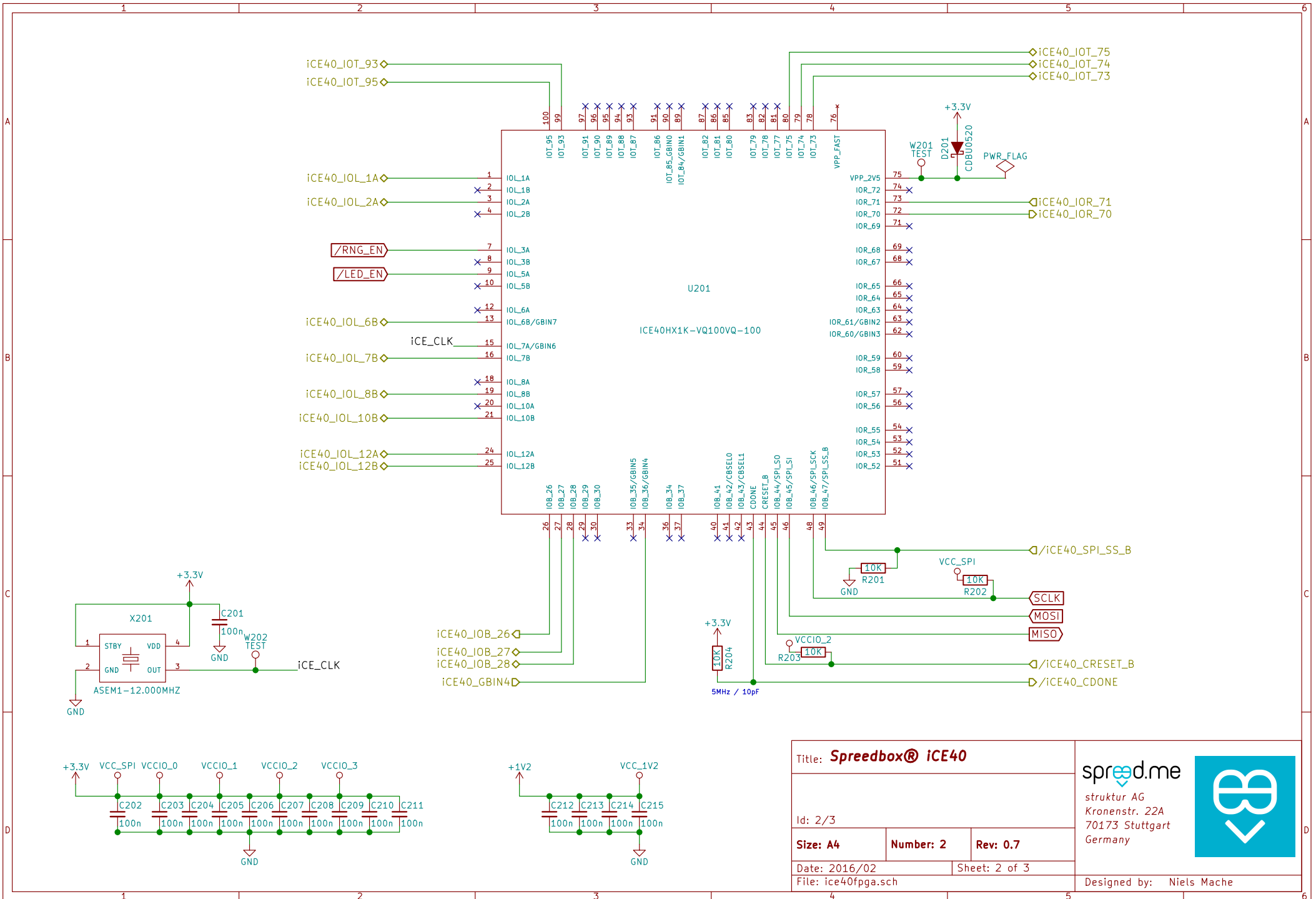
Date: 2016/02 Sheet: 1 of 3

File: Speedbox1.sch

Designed by: Niels Mache



struktur AG
Kronenstr. 22A
70173 Stuttgart
Germany

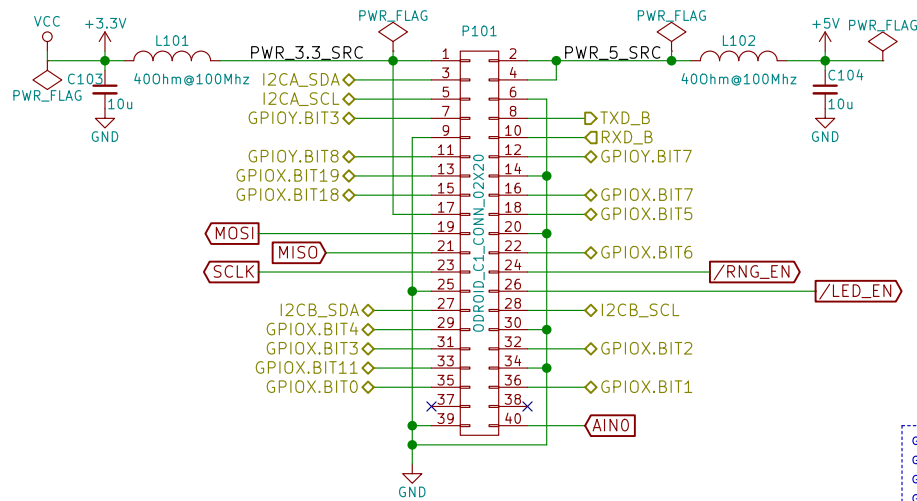


Title: Speedbox® ICE40		
Id: 2/3		
Size: A4	Number: 2	Rev: 0.7
Date: 2016/02	Sheet: 2 of 3	
File: ice40fpga.sch		





Designed by: Niels Mache

Odroid-C1+ 2x20 pin header (back side, mirrored)



GPIOX.BIT20/CE0 --> /RNG_ENABLE
 GPIOX.BIT6 --> /ICE40_CRESET_B
 GPIOX.BIT5 --> /ICE40_SPL_SS_B
 GPIOX.BIT7 --> /ICE40_CDONE
 GPIOX.BIT21/CE1 --> /LED_ENABLE

Title: Speedbox® Connector			 struktur AG Kronenstr. 22A 70173 Stuttgart Germany	
Id: 3/3				
Size: A4	Number: 3	Rev: 0.7		
Date: 2016/02		Sheet: 3 of 3		
File: Speedbox-MiraConnect.sch			Designed by: Niels Mache	